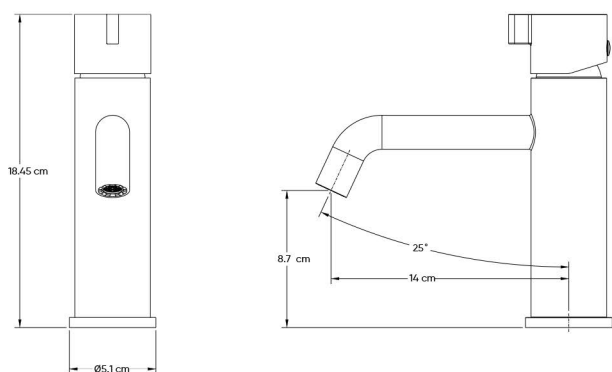


HATCH COUNTERTOP WASHBASIN MIXERS

Product Name: SINGLE LEVER WASHBASIN MIXER
Model Number: HAT-MX091



AVAILABLE COLORS



DESCRIPTIONS

Material: Main body : Brass, Accessories material: Nylon hose with brass nuts
(BCC) Black chrome coating
Packaging unit: 1 piece
Shape: Round

TECHNICAL SPECIFICATION

Average Flow rate: 3.80 L/min
Maximum operating pressure: 15 bar
Water consumption: Class A
Spray type: Normal spray (Hot & Cold)
Mounting type: Countertop
Hose connection size: G 1/2 in
Hose size: 60 cm
Ceramic cartridge: (Yes) 35 mm
Key to open aerator for cleaning: Yes (included)

DIMENSIONS

18.45 x 14 x 5.1 CM

APPLICATIONS

Bathroom / Washroom

BOX COMPONENTS

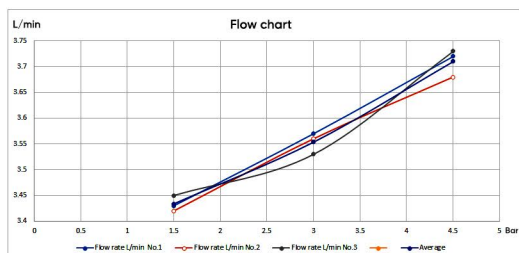
- Single Lever Mixer
- 2 Hoses (Hot & Cold) 60 cm
- Fixing set
- Aerator key
- Manual Installation

COUNTRY OF ORIGIN

Made in China for HATCH Sanitary

WARRANTY

5 years for function
 2 years for surface



HATCH SANITARY

Hatch Sanitary is a trademark owned by MHG

Old Al Kharj Road, Building No. 3533
 Riyadh 14511 - 8305
 Kingdom of Saudi Arabia

© info.mhg@marketing-home.com

☎ 800 122 2230